



WIR REGELN DAS SCHON.

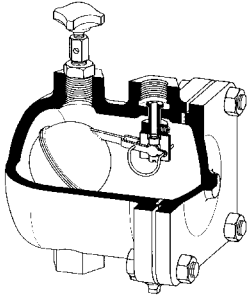
AIR RELEASE VALVES

air release valves
float actuated
up to 200 °C

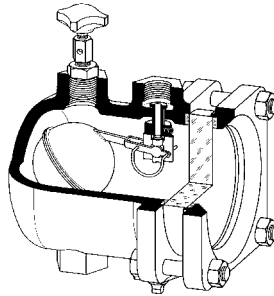
TYPE 1.40
1.48, 1.50

Sheet no. EB 1.40/2.1.961.1

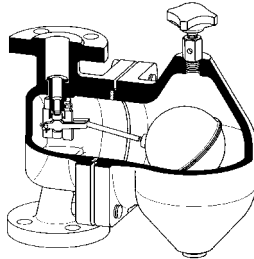
TYPE 1.40



TYPE 1.48



TYPE 1.50



TECHNICAL DATA

MEDIUM	liquids, gases and steam
NOMINAL PRESSURE	type 1.40, 1.48 : PN 16 type 1.50 : PN 16 - 25
CONNECTION	type 1.40, 1.48 : BSP 1/2 type 1.50 : DN 15 - 25
WORKING PRESSURE	0 - 25 bar in several ranges
TEMPERATURE	up to 200 °C
FLOW RATE	up to 185 Nm ³ /h

DESCRIPTION

Venting and bleeding valves remove air or gases from pipelines and installations. When an installation is being drained they operate as venting valves. They are float-controlled valves which close as the level rises (bleeding mode) and open as the level drops (venting mode). Venting can be prevented by fitting a check valve.

Type 1.40 and 1.48 have a cast iron body, where as type 1.50 is available in cast iron or cast steel. Type 1.48 is equipped with a sight glass. The standard version is supplied with a soft seal which ensures good sealing during operating. As an option these valves can also be supplied with a metallic seal.

Continuous bleeding valves should not be overdimensioned. If a valve with a larger nominal diameter is selected this should be combined with a higher operating pressure range and a lower flow rate. Please ask for advice in case of doubt.

In case of filters the bleed spigot is frequently located in the centre of the vessel. If the flow rates are high and the spacing between distribution funnel and bleed spigot close, the jet of incoming water will hit the spigot which may impair bleeding and cause water hammer. This can be prevented by fitting a baffle or locating the bleed spigot off-centre.

Special designs for aggressive mediums, also including polyamid coated valves, can be supplied on request to a price supplement.

When inquiring or ordering, please, state working pressure ranges.

Special design on request

Type	SEAT DIAMETER mm			
	1.40, 1.48		1.50	
	nominal diam. BSPT 1/2	nominal diam. DN 15, 20 DN 25		
0 - 2	5	6	8	
0 - 4	4	6	8	
0 - 6	3	-	-	
0 - 8	-	4,5	5,5	
0 - 10	2	-	-	
0 - 13	-	3,5	4,5	
0 - 16	1,5	3	4,5	
0 - 22	-	2,5	4,5	
0 - 25	-	2	4,5	

Δp bar	FLOW RATE Nm ³ /h											
	seat ø											
	0,1	0,5	1	2	4	6	8	10	12	16	20	25
1,5	0,5	1,2	1,5	2,3	3,9	5,5	7,1	8,7	10	13	-	-
2	1	3,2	2,8	4,2	7	9,8	12	15	18	24	29	26
2,5	1,6	3,4	4,4	6,6	11	15	19	24	28	37	46	-
3	2,3	5	6,3	9,5	15	22	28	34	41	54	-	-
3,5	3,1	6,8	8,6	12	21	30	38	47	56	-	-	-
4	4,1	8,9	11	16	28	-	-	-	-	-	-	-
4,5	5,2	11	14	21	35	50	64	78	93	121	150	185
5	6,4	13	17	26	-	-	-	-	-	-	-	-
5,5	8	16	21	32	53	75	96	-	-	-	-	-
6	9,3	20	25	38	63	-	-	-	-	-	-	-
8	16	35	45	67	113	-	-	-	-	-	-	-

OPERATING PRESSURE RANGES bar				
Type 1.40, 1.48				
0 - 2	0 - 4	0 - 6	0 - 10	0 - 16

OPERATING PRESSURE RANGES bar							
Type 1.50							
PN 16	0 - 2	0 - 4	0 - 8	0 - 13	0 - 16		
PN 25	0 - 2	0 - 4	0 - 8	0 - 13	0 - 16	0 - 22	0 - 25

Mankenberg reserves the right, without notice, to alter or improve the designs or specifications of the products described herein 12.11.1996

MANKENBERG Armaturenfabrik GmbH • D-23581 Lübeck • Postfach - P/O-Box 3230 • Tel. 0451 - 87975-0 • Fax 0451 - 8797599



WIR REGELN DAS SCHON.

AIR RELEASE VALVES

air release valves

float actuated

up to 200 °C

TYPE 1.40

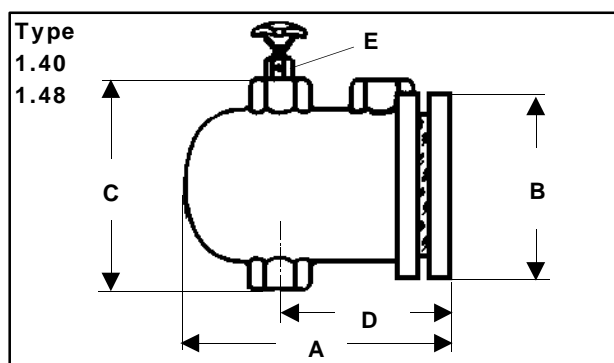
1.48

1.50

Sheet no. EB 1.40/3.1.961.1

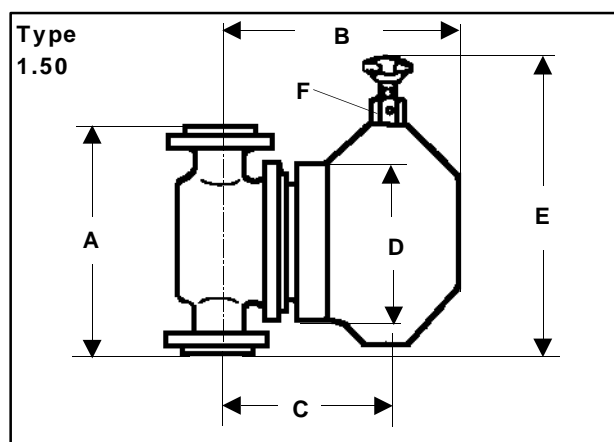
MATERIALS

TYPE	1.40		1.48		1.50	
TEMPERATURE	130°C	200°C	130°C	150°C	130°C	200°C
BODY	PN 16 PN 25/40	GG-20				GS-C 25
BODY GASKET	without asbestos					
INNER PARTS	CrNi / CrNiMo-steel					
FLOAT	CrNiMo-steel					
VALVE SEAL	FPM	metallic	FPM	metallic	FPM	metallic
SIGHT GLASS	without		Soda lime glass		without	



DIMENSIONS (mm) TYPE 1.40, 1.48		
size mm	Type 1.40	Type 1.48
	nominal diameter G 2	
A	165	185
B	130 x 130	130 x 130
C	160	160
D	110	130
E	G 1/4	

WEIGHTS (kg)	
Type 1.40	Type 1.48
4,5	5,5



MOUNTING DIMENSIONS (mm) TYPE 1.50				
size mm	nominal pressure	nominal diameter DN		
		15	20	25
A		185	230	
B	PN 16	180	195	
	PN 25	180	200	
C		125	140	
D	PN 16	120 x 120	175 x 190	
	PN 25	120 x 120	220 x 190	
E	PN 16	240	285	
	PN 25	230	280	
F		G 3/8	G 3/8	

WEIGHTS (kg) TYPE 1.50			
nominal pressure PN	nominal diameter DN		
	15	20	25
16	6,5	7	13,5
25	9	9,5	16

Special design on request

12.11.1996 Mankenberg reserves the right, without notice, to alter or improve the designs or specifications of the products described herein

MANKENBERG Armaturenfabrik GmbH • D-23581 Lübeck • Postfach - P/O-Box 3230 • Tel. 0451 - 87975-0 • Fax 0451 - 8797599