

Float Valves for installation in vessels
up to 130 °C



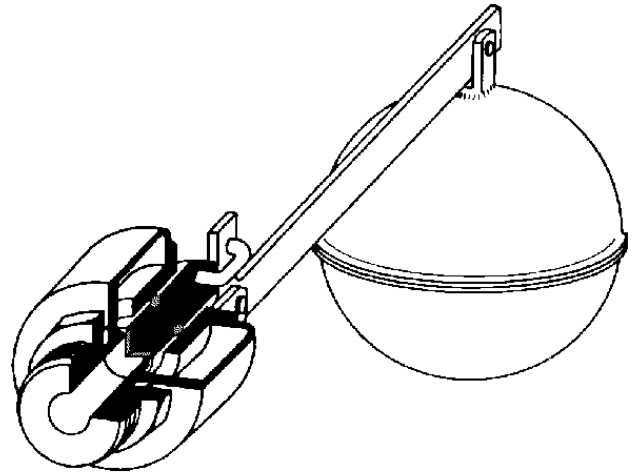
Technical Data

Connection	G 3/8A - 1 1/2 A (Zapfen)
	DN 40 - 80
Nominal Pressure	PN 16
K _{vs} -value	0.3 - 82 m ³ /h

Description

Float valves automatically control liquid levels in sealed or open (non-pressurised) tanks and vessels without requiring external energy. The float registers the liquid level and directly controls the valve via a lever. A change in the liquid level immediately results in a changed flow volume.

NV 98 is a float valve for horizontal installation inside a tank as inlet valve with outlet at the bottom. This valve is made entirely of stainless steel featuring excellent corrosion resistance. NV 98 R (spigot connection) is fitted with a SR 3 ball float, NV 98 F (flange connection) is fitted with a SR 8 cylindrical float that is adjustable on its float bar. NV 98 FP is fitted with a parallel float guide which prevents oscillation of the float. The valve cone is fitted with a soft seal.



The following note applies to float valves fitted with float bar:
If the liquid level is below the float bar i.e. if the float points downwards, a guide for the float bar should be installed.

When enquiring or ordering please quote the suffix letters given below:

R	=	Spigot connection
F	=	Flange connection
P	=	Parallel guide
Z	=	Inlet. Valve closes when float rises
u	=	Downward flow

Example: Float valve type 98 R Z/u (inlet valve with spigot connection, downward flow).

STANDARD EQUIPMENT

- All stainless steel construction
- NV 98 R with ball float SR 3
- NV 98 F with cylindrical float SR 8
- NV 98FP with cylindrical float SR 8 and float bar parallel guide

OPTIONS

- Various seal materials suitable for your medium

Operating instructions, Know How and Safety instructions must be observed.

The pressure has always been indicated as overpressure.

We reserve the right to alter technical specifications without notice.

K _{vs} -values [m ³ /h]		3/8	1/2	3/4	1	1 1/4	1 1/2
nom. diameter	G.A						
	0 - 2 bar	0.7	1.95	5	7.9	13.3	17.8
press. range	0 - 4 bar	0.7	1.95	2.9	5	7.9	13.3
	0 - 8 bar	0.3	0.7	1.95	2.9	5	6.4

K _{vs} -values [m ³ /h]		40	50	65	80
nom. diameter	DN				
	40				
press. range	0 - 8 bar	20	32	50	82

Pressure Ranges		pressure range [bar]		
nom. diameter				
G 3/8 - 1		0 - 2	0 - 4	0 - 8
DN 40 - 80		0 - 8		

Please state working pressure range, when inquiring or ordering

Float Valves for installation in vessels
up to 130 °C



Materials	
Body	CrNiMo-steel
Cone	CrNiMo-steel
Seat	CrNiMo-steel
Valve Seal	G 3/8 FPM, G 1/2 - 1 1/2 EPDM
Float	CrNiMo-steel

Dimensions [mm] NV 98 R						
size	nominal diameter G..A					
	3/8	1/2	3/4	1	1 1/4	1 1/2
A	40	40	40	45	47	47
B	60	60	60	65	72	77
C	85	85	85	90	96	101
D	ø 60	ø 60	ø 60	ø 60	ø 60	ø 60
E	110	110	110	115	123	128
F	16	16	20	20	23	25
G	3/8	1/2	1/2	3/4	1	1 1/4
H	200	200	200	200	200	200
I	135	145	165	185	215	235
K	ø 100	ø 110	ø 130	ø 150	ø 180	ø 200

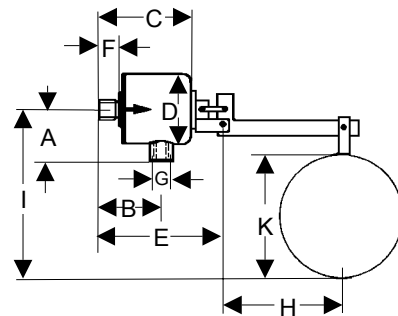
Weights [kg] NV 98 R						
nominal diameter G ... A						
3/8	1/2	3/4	1	1 1/4	1 1/2	
0.9	0.9	1.4	1.5	2.7	3	

Dimensions [mm] NV 98 F + NV 98 FP				
size	nominal diameter DN			
	40	50	65	80
A	85	95	95	110
B	60	75	75	80
C	105	125	125	140
D	ø 70	ø 90	ø 90	ø 125
E	145	165	165	180
F	ø 43	ø 53	ø 64	ø 80
H	330	330	440	530
K	ø 280	ø 305	ø 340	ø 380
L	280	305	340	380
M	55	55	80	80

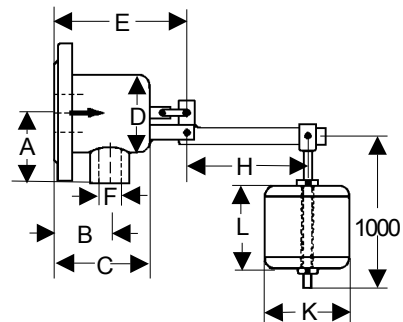
Weights [kg] NV 98 F + NV 98 FP				
nominal diameter DN				
40	50	65	80	
6.5	9.5	12.5	13.5	

Special designs on request.
The pressure has always been indicated as overpressure.
Mankenberg reserves the right, to alter or improve the designs or specifications of the products described herein without notice.

NV 98 RZ/u



NV 98 FZ/u



NV 98 FPZ/u

