

Float Valves for installation in closed vessels
up to 300 °C



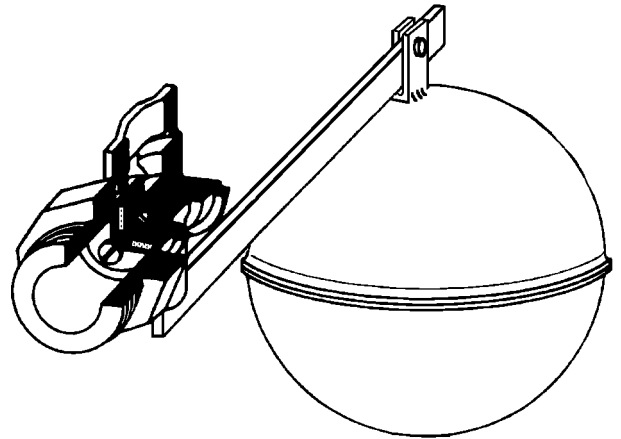
Technical Data

Connection G 3/8A - 1 1/2A (Zapfen)
Nominal Pressure PN 16
K_{vs}-value 0.3 - 21 m³/h

Description

Float valves automatically control liquid levels in sealed or open (non-pressurised) tanks and vessels without requiring external energy. The float registers the liquid level and directly controls the valve via a lever. A change in the liquid level immediately results in a changed flow volume.

NV 94 is a float valve for horizontal or vertical installation inside a tank as inlet or outlet valve. This valve is made entirely of stainless steel featuring excellent corrosion resistance. The valve cone can be fitted with a soft seal (up to 130 °C) or a metallic seal (up to 300 °C). NV 71 is supplied with a ball float type SR 3 fixed to the float bar.



When enquiring or ordering please quote the suffix letters given below:

Z = Inlet. Valve closes when float rises
A = Outlet. Valve closes when float drops
w = Horizontal flow
o = Upward flow
u = Downward flow

Example: Float valve NV 94 Zw (inlet valve for horizontal flow).

STANDARD EQUIPMENT

- All stainless steel construction
- SR 3 ball float stainless steel

OPTIONS

- Various seal materials suitable for your medium

Operating instructions, Know How and Safety instructions must be observed.

The pressure has always been indicated as overpressure.

We reserve the right to alter technical specifications without notice.

K _{vs} -values [m ³ /h]						
nom. diameter G A	3/8	1/2	3/4	1	1 1/4	1 1/2
press. range 0 - 2 bar	1.2	2.8	5.1	10	15	21
press. range 0 - 4 bar	0.7	1.9	2.8	5.1	8.7	12
press. range 0 - 8 bar	0.3	0.9	1.9	2.8	4.4	6.4

Pressure Ranges [bar]		
0 - 2	0 - 4	0 - 8

Please state working pressure range, when inquiring or ordering

Float Valves for installation in closed vessels
up to 300 °C



Materials	
Body	CrNiMo-steel
Cone	CrNiMo-steel
Seat	CrNiMo-steel
Valve Seal	EPDM up to 130 °C metallic up to 300 °C
Float	CrNiMo-steel

Dimensions [mm]						
	nominal diameter G...A					
size	3/8	1/2	3/4	1	1 1/4	1 1/2
B	9	13.5	15.5	19.5	24	26
C	56	75	75	97	110	120
D	12	16	16	20	22	25
E	34	42	42	55	63	63
F	110	165	190	225	285	320
G	43	57	57	72	80	90

Weights [kg]						
nominal diameter G ... A						
3/8	1/2	3/4	1	1 1/4	1 1/2	
0.6	0.9	1.3	2	3.5	4.5	

Dimensions Ball Float SR 3 [ø mm]						
nominal diameter G ... A						
3/8	1/2	3/4	1	1 1/4	1 1/2	
100	110	130	150	180	200	

Special designs on request.
The pressure has always been indicated as overpressure.
Mankenberg reserves the right, to alter or improve the designs or specifications of the products described herein without notice.

