

Compressed Air Shutoff Valve for pipelines, straight and angled versions up to 80 °C

## Technical Data

Connection	DN 15 - 200 DN 250 - 400 on request
Nominal Pressure	PN 16
Operating Pressure	bis 8 bar
Flow Rate	1 - 115 m <sup>3</sup> /h

## Description

Pneumatic shutoff valves are independent stop valves for water installations fitted with accumulators. These valves prevent air escaping from accumulators into the pipe network once a pump has failed owing to lack of water, power cut, pipe blockage etc. In this way dangerous water hammer in the pipe network and loss of compressed air is prevented.

The accumulator must be installed in a pipe spur. As long as the accumulator is filled with water up to the level of the lower connecting spigot, the float of the pneumatic shutoff valve keeps the valve open in both directions if there is a flow of water. As soon as air passes from the accumulator into the pneumatic shutoff valve the latter closes tightly preventing air entering the pipe network. When the pump starts delivering the pneumatic shutoff valve automatically opens again and allows water to flow into the accumulator. When the water level is rising the pneumatic shutoff valve will open only if the pressure inside and downstream of the valve is approximately zero. The water flow velocity in the valve must not exceed 1.5 m/s (1 m/s for valve size DN 200).

NV 80 is a pneumatic shutoff valve of angled design, whereas NV 82 is a straight valve. The valve body is of welded steel construction; the float is precisely guided in two bushes; the valve cone is fitted with a soft seal.

## OPTIONS

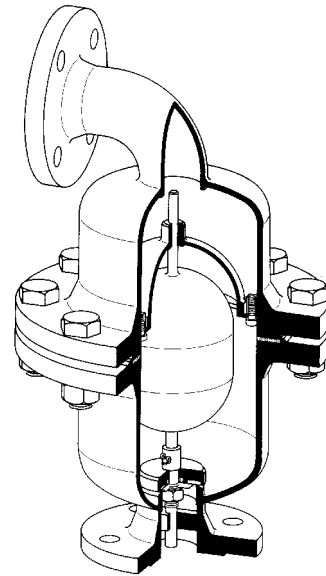
- Stainless steel construction – all components stainless steel
- Rubber or plastic coating for corrosive media
- Various seal materials suitable for your medium

Operating instructions, Know How and Safety instructions must be observed.

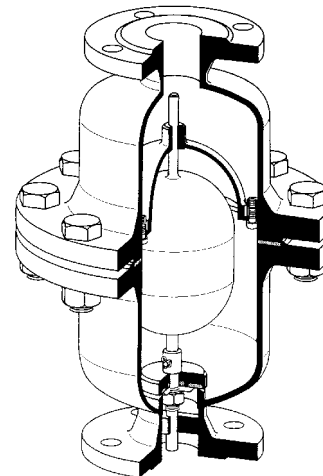
The pressure has always been indicated as overpressure.

We reserve the right to alter technical specifications without notice.

NV 80



NV 82



Q = max. [m <sup>3</sup> /h]				
nominal diameter DN				
15	20, 25	32, 40	50	65
1	3	7	11	18

Q = max. [m <sup>3</sup> /h]				
nominal diameter DN				
80	100	125	150	200
27	42	68	100	115

Compressed Air Shutoff Valve for pipelines, straight and angled versions  
up to 80 °C

Materials	
Temperature	80 °C
Body	steel optional CrNiMo-steel
Body Seal	Nova Universal
Internals	Cr-steel optional CrNi-steel or CrNiMo-steel
Float	CrNi-steel optional CrNiMo-steel
Valve Seal	NBR

Dimensions [mm] NV 80, NV 82 PN 10									
size	nominal diameter DN								
	15	20	25	32	40	50	65	80	
A <sub>1</sub>	300	300	300	360	370	390	500	540	
A <sub>2</sub>	320	320	320	355	360	360	460	475	
B	60	65	75	85	100	120	130	165	
D	285	285	285	285	285	285	340	340	

Dimensions [mm] NV 80, NV 82 PN 10									
size	nominal diameter DN								
	100	125	150	200	250	300	350	400	
A <sub>1</sub>	680	720	875	1250	on request				
A <sub>2</sub>	580	580	700	1100					
C	205	245	285	310					
D	395	395	445	445					

Dimensions [mm] NV 80, NV 82 PN 16									
size	nominal diameter DN								
	15	20	25	32	40	50	65	80	
A <sub>1</sub>	300	300	300	360	370	390	500	540	
A <sub>2</sub>	320	320	320	355	360	360	460	475	
B	60	65	75	85	100	120	130	165	
D	285	285	285	285	285	285	340	340	

Dimensions [mm] NV 80, NV 82 PN 16									
size	nominal diameter DN								
	100	125	150	200	250	300	350	400	
A <sub>1</sub>	680	720	875	900	on request				
A <sub>2</sub>	580	580	700	800					
B	205	245	285	310					
D	405	405	460	460					

Weights [kg] NV 80, NV 82									
	nominal diameter DN								
	15	20	25	32	40	50	65	80	
PN 10	26	26.5	27	29.5	30	31	56	58	
PN 16	26	26.5	27	29.5	30	31	57	59	

Weights [kg] NV 80, NV 82									
	nominal diameter DN								
	100	125	150	200	250	300	350	400	
PN 10	103	108	137	153	on request				
PN 16	106	112	148	164					

Special designs on request.  
The pressure has always been indicated as overpressure.  
Mankenberg reserves the right, to alter or improve the designs or specifications of the products described herein without notice.

