

Single and double seated Float Valve, installation in pipelines and at tanks elbow design, for liquids up to 110 / 300 °C

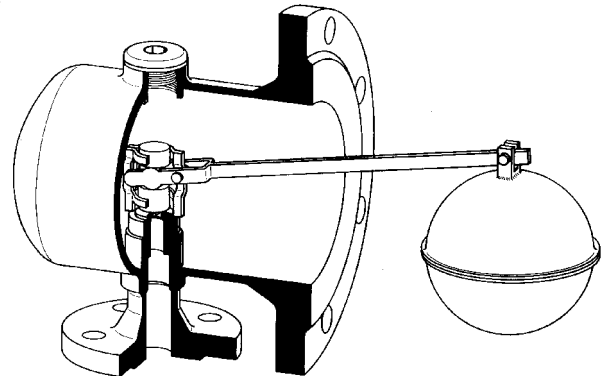
Technical Data

Connection	DN 25 - 150
Nominal Pressure	PN 10
Operating Pressure	up to 8 bar, in 3 ranges
K _{VS} -value	1.6 - 81 m ³ /h

Description

Float valves automatically control liquid levels in sealed or open (non-pressurised) tanks and vessels without requiring external energy. The float registers the liquid level and directly controls the valve via a lever. A change in the liquid level immediately results in a changed flow volume.

NV 71 is a pipeline valve for tank mounting complete with tank connecting flange for direct inlet/outlet. The valve cone can be fitted with a soft seal (up to 110 °C) or a metallic seal (up to 300 °C). NV 71 is supplied with a ball float type SR 3 fixed to the float bar.



When enquiring or ordering please quote the suffix letters given below:

- Z = Inlet. Valve closes when float rises
- A = Outlet. Valve closes when float drops
- w = Horizontal flow
- o = Upward flow
- u = Downward flow

Example: Float valve NV 71 Z/u (inlet valve for downward flow).

STANDARD EQUIPMENT

- SR 3 ball float stainless steel

OPTIONS

- Stainless steel construction – all components stainless steel
- Rubber or plastic coating for corrosive media
- Various seal materials suitable for your medium

Operating instructions, Know How and Safety instructions must be observed.

The pressure has always been indicated as overpressure.

We reserve the right to alter technical specifications without notice.

Pressure Ranges [bar], K _{VS} -values [m ³ /h]								
press. range bar	nominal diameter DN							
	25	32	40	50	65	80	100, 125, 150	
0 - 2	5.1	10	15	21	31	57	81	
0 - 4	3.3	5.1	8.7	12	20	35	49	
0 - 8	1.6	2.9	4.5	6.4	10	17	28	

Please state working pressure range, when inquiring or ordering

Single and double seated Float Valve, installation in pipelines and at tanks elbow design, for liquids up to 110 / 300 °C
elbow design, for liquids up to 110 / 300 °C

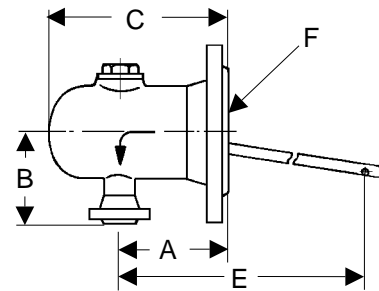
Materials	
Body	steel optional CrNiMo-steel
Cone, Seat	gun metal optional CrNiMo-steel
Cone Guide	Cr-steel optional CrNiMo-steel
Valve Seal	EPDM up to 110 °C or metallic up to 300 °C
Linkage	steel optional CrNiMo-steel
Float	CrNiMo-steel

Dimensions [mm] and Weights [kg]									
size	nominal diameter DN								
	25	32	40	50	65	80	100	125	150
A	120	140	140	140	160	175	200	200	200
B	125	150	150	150	170	180	200	200	200
C	200	240	240	240	300	310	350	350	395
E	310	350	380	415	495	630	775	775	775
F	DN125	DN150	DN150	DN150	DN200	D 200	DN250	DN250	DN250
ball float SR 3									
ø	110	130	160	200	220	250	280	280	280
Weights									
kg	10	15	17	19	41	44	58	60	62

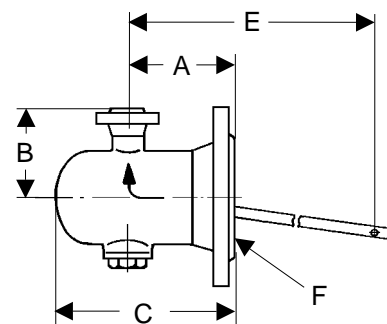
from DN 40 float fitted through manhole

Special designs on request.
The pressure has always been indicated as overpressure.
Mankenberg reserves the right, to alter or improve the designs or specifications of the products described herein without notice.

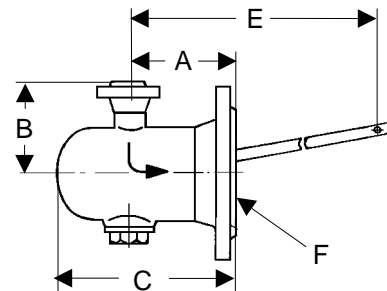
NV 71 A/u



NV 71 A/o



NV 71 Z/u



NV 71 Z/o

