

Float Valve, single seated, balanced, installation in pipelines and at tanks for liquids up to 130 °C

## Technical Data

Connections	DN 15 - 150
Nominal Pressure	PN 16 - 40
K <sub>vs</sub> -value	4 - 160 m <sup>3</sup> /h

## Description

Float valves automatically control liquid levels in sealed or open (non-pressurised) tanks and vessels without requiring external energy. The float registers the liquid level and directly controls the valve via a lever. A change in the liquid level immediately results in a changed flow volume.

NV 16e is a pipeline valve for horizontal or vertical flow. NV 55e is a pipeline valve complete with tank connecting flange for vertical flow. The valve cone is fitted with a soft seal. The valves are fitted with a float bar on which a float featuring an inner tube is mounted (normally a cylindrical float type SR 8). By changing the position of the float on the bar the required liquid level is infinitely variable. The float of discharge valves must be provided with sand filling by the customer.

The following note applies to float valves fitted with float bars:  
If the liquid level is below the float bar i.e. if the float points downward, a guide for the float bar should be installed.

When enquiring or ordering please quote the suffix letters given below:

Z	=	Inlet. Valve closes when float rises
A	=	Outlet. Valve closes when float drops
w	=	Horizontal flow
o	=	Upward flow
u	=	Downward flow

Example: Float valve NV 16e Z/w (inlet valve for horizontal flow).

## STANDARD EQUIPMENT

- Float bar stainless steel
- Cylindrical float SR 8 stainless steel

## OPTIONS

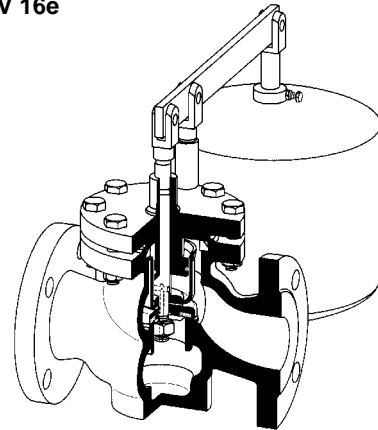
- Rubber or plastic coating for corrosive media
- Various seal materials suitable for your medium

Operating instructions, Know How and Safety instructions must be observed.

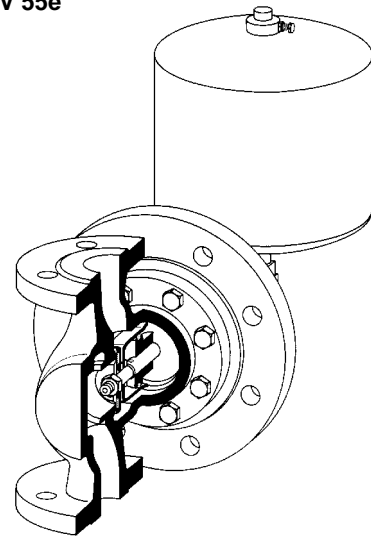
The pressure has always been indicated as overpressure.

We reserve the right to alter technical specifications without notice.

NV 16e



NV 55e



K <sub>vs</sub> -values [m <sup>3</sup> /h]						
nom. dia.	DN	15	20	25	40	50
K <sub>vs</sub> -value	m <sup>3</sup> /h	4	5	6	20	32

K <sub>vs</sub> -values [m <sup>3</sup> /h]						
nom. dia.	DN	65	80	100	125	150
K <sub>vs</sub> -value	m <sup>3</sup> /h	50	80	100	140	160

# Level Control Valve

# NV 16e, 55e

Float Valve, single seated, balanced, installation in pipelines and at tanks for liquids up to 130 °C

Materials		
Body	PN 16	up to DN 25 grey cast iron from DN 40 spheroidal cast iron
	PN 25/40	cast steel
Cone and Seat		grey cast iron / Cr-steel
Piston and Spindle		Cr-steel
Valve Seal		EPDM
Linkage		steel zined / steel
Float Rod		CrNiMo-steel
Float		CrNiMo-Stahl

Dimensions [mm] and Weights [kg] NV 16e PN 16*										
size	nominal diameter DN									
	15	20	25	40	50	65	80	100	125	150
A	130	150	160	200	230	290	310	350	400	480
B	175	175	175	195	195	290	290	290	325	400
C	55	55	55	125	125	105	105	105	185	200
D	360	360	360	480	480	640	640	640	760	895
E	270	270	270	360	360	480	480	480	570	675
F	315	315	315	420	420	560	560	560	665	785
G	45	45	45	60	60	80	80	80	95	110
Weights without float										
kg	6	7	8	14	19	40	48	60	98	128

\* PN 25/40 on request

Dimensions [mm] and Weights [kg] NV 55e PN 16*										
size	nominal diameter DN									
	15	20	25	40	50	65	80	100	125	150
A	130	150	160	200	230	290	310	350	400	480
B	180	180	180	200	200	300	300	300	340	410
C	55	55	55	125	125	105	105	105	185	200
D	95	95	95	115	115	175	175	175	235	255
E	210	210	210	280	280	420	420	420	420	490
F	30	30	30	40	40	60	60	60	60	70
DN	100	100	100	125	125	200	200	200	250	250
Weights without float										
kg	10	11	12	21	24	45	53	65	103	133

\* PN 25/40 on request

Necessary cylindrical float $\varnothing$ SR 8 [mm] ( $\varnothing$ = hight) *											
nom. diameter	DN	15	20	25	40	50	65	80	100	125	150
float $\varnothing$	mm	200	200	200	240	240	305	305	305	340	340

\*dimensions and weights see sheet SR 2.1.041.1

Special designs on request.

The pressure has always been indicated as overpressure.

Mankenberg reserves the right, to alter or improve the designs or specifications of the products described herein without notice.

WIR REGELN DAS SCHON  
FIRMILY IN CONTROL

**MANKENBERG**

Mankenberg GmbH • Spenglerstraße 99 • D-23556 Lübeck • Tel. +49-451-8 79 75 0 • Fax +49-451-8 79 75 99 • gm@mankenberg.de • www.mankenberg.de

