

for installation in vessels with or without parallel guide
up to 110 °C

Technical Data

Connection	DN 20 - 150
Nominal Pressure	PN 16
K _{vs} -value	2.8 - 195 m ³ /h
Design	feed valve horizontal inflow

Description

Float valves automatically control liquid levels in sealed or open (non-pressurised) tanks and vessels without requiring external energy. The float registers the liquid level and directly controls the valve via a lever. A change in the liquid level immediately results in a changed flow volume.

The NV 12 and NV 12 P float valves are standard inlet (feed) valves for installation in tanks; they are made of cast iron. The valve cone is fitted with a soft seal.

The following note applies to float valves fitted with float bars:
If the liquid level is below the float bar i.e. if the float points downwards, a guide for the float bar should be installed.
NV 12P is fitted with a parallel guide which prevents float oscillation if a float bar guide is not fitted in the tank.

Please state working pressure range when enquiring or ordering.

STANDARD EQUIPMENT

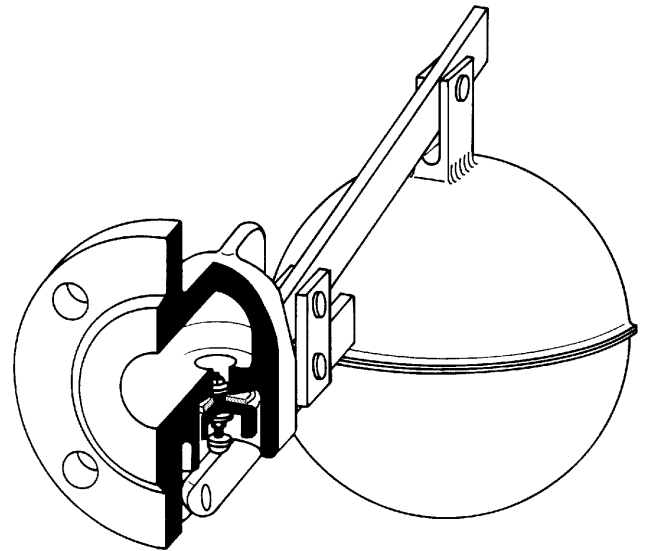
- Ball or cylindrical float (see overleaf)
- NV 12P with parallel guide

OPTIONS

- Various seal materials suitable for your medium

Operating instructions, Know How and Safety instructions must be observed.

The pressure has always been indicated as overpressure.
We reserve the right to alter technical specifications without notice.



K _{vs} -values [m ³ /h]								
nom. dia. DN	20-25	32-40	50	65	80	100	125	150
K _{vs} -value m ³ /h	2.8	9.5	12	25	44	70	110	195

Pressure Ranges [bar]			
operating pressure [bar]	0 - 2	0 - 4	0 - 8

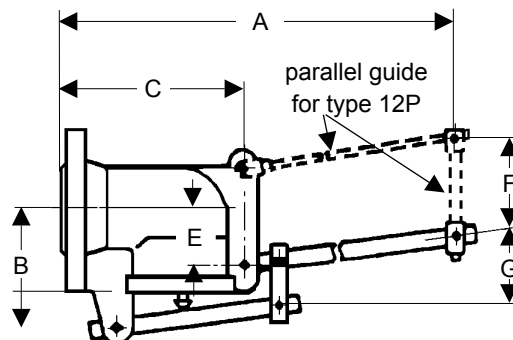
Level Control Valve

NV 12, 12P

for installation in vessels with or without parallel guide
up to 110 °C

Materials	
Body	up to DN 25 grey cast iron from DN 32 spheroidal cast iron
Cone	CrNiMo-steel
Cone Guide	grey cast iron
Seat	grey cast iron
Valve Seal	EPDM
Float Rod	CrNiMo-steel
Float	CrNiMo-steel

Dimensions [mm]										
size	nominal diameter DN									
	20	25	32	40	50	65	80	100	125	150
A	350	350	455	455	470	610	710	875	1160	1350
B	68	68	88	88	95	104	113	135	165	180
C	100	100	125	125	140	170	180	225	310	350
E	30	30	40	40	50	50	60	60	100	100
F	55	55	80	80	80	80	100	100	100	100
G	5°	5°	5°	5°	10°	10°	10°	20°	20°	20°



Weight without float [kg]										
nominal diameter DN										
20	25	32	40	50	65	80	100	125	150	
1.8	2	4.5	5	7	9	11	18	27	35	

Float Dimension											
pressure range bar	nominal diameter DN										
	20	25	32	40	50	65	80	100	125	150	
	ball float SR 3 ø in mm *										
0 - 2	160	160									
0 - 4	160	160									
	cylindrical float SR 8 ø = height in mm										
0 - 2	-	-	200	200	200	200	240	240	280	305	305
0 - 4	-	-	200	200	200	200	240	240	280	305	340
0 - 8	200	200	200	200	240	280	280	340	380	420	

*only for type 12 DN 20 + 25 working pressure ranges 0 - 2 and 0 - 4 bar.
(without float rod)

Special designs on request.
The pressure has always been indicated as overpressure.
Mankenberg reserves the right, to alter or improve the designs or specifications of the products described herein without notice.

WIR REGELN DAS SCHON
FIRMLY IN CONTROL

MANKENBERG