



Gasfilter for pipelines, straight-through style up to 80 °C

## Technical Data

Connection	G 1/2 - 2 DN 15 - 100
Nominal Pressure	PN 16

## Description

Gas filters protect plant and equipment such as regulators, valves, measuring equipment, safety valves and burners against damage or operational failure caused by contamination. They are essential for start-up as well as continuous operation.

In systems equipped with multiple tube filters GF 6.01 may be used as a bypass filter instead of costly additional standby filters.

GF 6.01 is entirely manufactured from deep-drawn stainless steel featuring excellent corrosion resistance.

Top and bottom sections of the body are connected by a clamp ring and 2 bolts. Cleaning is extremely simple and quick thanks to the quick-release locking of the filter element.

Servicing/maintenance is easy and does not call for special tooling.

The filter may be installed in any position; installation with the cover at the bottom is recommended.

## STANDARD EQUIPMENT

- Filter medium made of skeletal polyester foam (for pore size and number of sheets see overleaf)
- Stainless steel support frame fitted with quick-release locking
- Quick-release body clamp ring

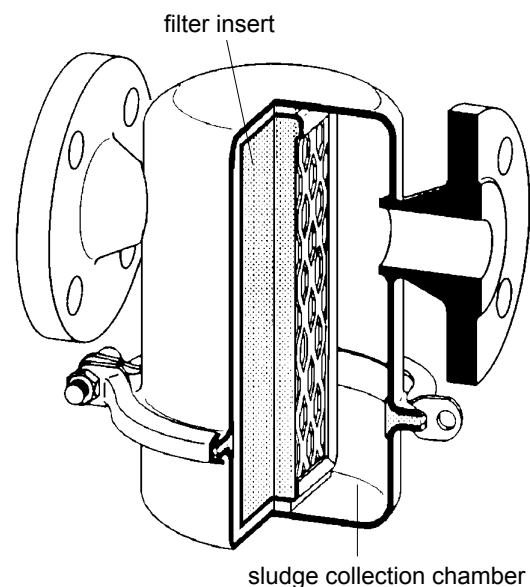
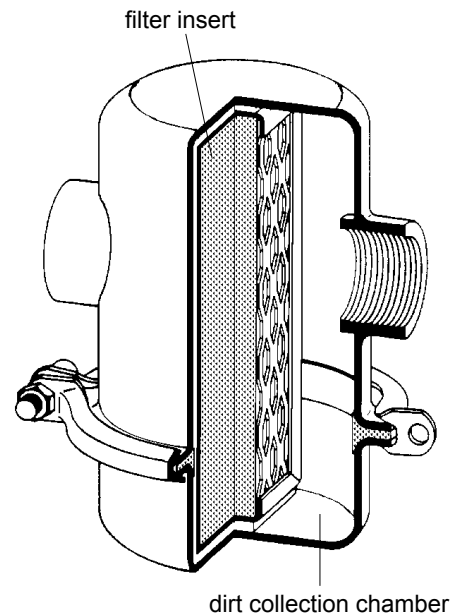
## OPTIONS

- Filter medium in various pore sizes (see table on right)
- Various seal materials suitable for your medium
- Special connections: Aseptic, ANSI or DIN flanges, welding spigots; other connections on request
- Special versions on request

Operating instructions, Know How and Safety instructions must be observed.

The pressure has always been indicated as overpressure.

We reserve the right to alter technical specifications without notice.



Gasfilter for pipelines, straight-through style up to 80 °C



Materials	
Body	CrNiMo-steel
Seal	EPDM
Filter Mat	Polyesterfoam with skeleton construction
Supporting Frame	CrNiMo-steel
Profile Clamp	CrNiMo-steel

Dimensions [mm]						
	nominal diameter G					
size	1/2	3/4	1	1 1/4	1 1/2	2
A <sub>1</sub>	110	110	110	110	110	160
B	105	105	105	105	105	105
C	155	155	155	155	155	155
D	140	140	140	140	140	140

\* tolerance ± 2 mm

Weights [kg]						
nominal diameter G						
	1/2	3/4	1	1 1/4	1 1/2	2
	1.2	1.4	1.4	1.6	1.6	22.3

Dimensions [mm]										
	nominal diameter DN									
size	15	20	25	32	40	50	65	80	100	
A <sub>2</sub>	150	150	160	180	200	230	290	310	350	
B	105	105	105	105	105	105	135	135	210	
C	155	155	155	155	155	155	205	205	280	
D	140	140	140	140	140	140	195	195	195	

\* tolerance ± 2 mm

Weights [kg]										
nominal diameter DN										
	15	20	25	32	40	50	65	80	100	
	2.6	3.2	3.66	5	5.4	6.3	9.4	10.7	13.5	

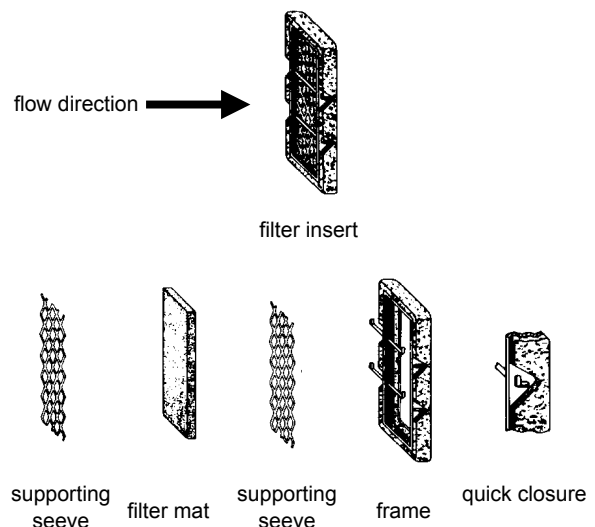
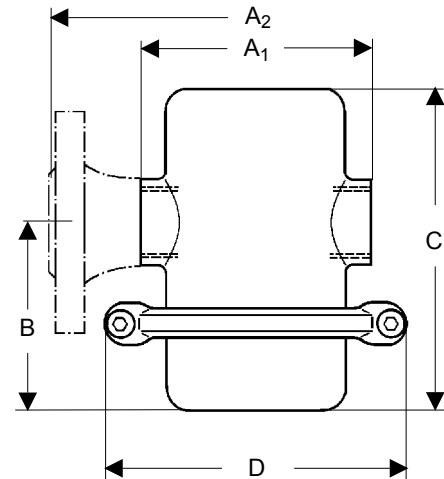
Filter Mats		
Mat no.	size of pores	dust restraint capacity % with testdust, limit grain 0,005 mm
80	0.150 mm	clean 71
		medium 85
		dirty 91
60	0.265 mm	clean 63
		medium 78
		dirty 86
45	0.370 mm	clean 56
		medium 72
		dirty 82

Number of Filter Mats		
nominal diameter		
G 1/2 - 2	DN 15 - 50	DN 65 - 100
1 x no. 60	1 x no. 60	1 x no. 60 1 x no. 45

Special designs on request.

The pressure has always been indicated as overpressure.

Mankenberg reserves the right, to alter or improve the designs or specifications of the products described herein without notice.



WIR REGELN DAS SCHON  
FIRMLY IN CONTROL

# MANKENBERG