



Flow Controller without internal parts, with internal indicator flag, external indicator or impeller, with one glass, up to 130 °C

Technical Data

Connection	G 1/2 -2 DN 15 - 50
Nominal Pressure	PN 16

Description

Flow sightglasses without flow indicator may be used for easy checking of fill levels, consistency, bi- or multiphase flows or condensate. They may also be used for mixtures of liquids, gases and vapours.

Flow indicators fitted with a vane can be used for monitoring the flow of liquids, gases and biphase fluids.

Flow indicators fitted with a vane are used for liquids and small flow volumes.

Flow indicators fitted with a ball can be used for liquids and gases.

DA 6.00 Flow sightglass without internal components:

Installation:
- in any position

DA 6.10 Flow indicator with internal vane for uniform flow direction:

With graduated scale 1 – 10 for horizontal or vertical installation. Sizes ½ - 1 or DN 15 - 25 are supplied without return spring; they can be supplied with return spring as an option; return springs can be fitted retrospectively. All other sizes are fitted with return springs as standard equipment.

Installation:
- with spring: in any position
- without spring: horizontal only if vane points downward;
vertical only if flow is upward.

DA 6.12 with external indicator for uniform flow direction, for turbid or opaque fluids:

With graduated scale 1 – 10 for horizontal or vertical installation. Sizes G ½ - G 1 or DN 15 - 25 are supplied without return spring; they can be supplied with return spring as an option; return springs can be fitted retrospectively. All other sizes are fitted with return springs as standard equipment.

Installation:
- with spring: in any position
- without spring: horizontal only if pointer points downward;
vertical only if flow is upward.

For flow indicator with additional electrical switch see flow switch SW 6.14.

DA 6.30 with impeller wheel uniform flow direction, for small flow volumes ($v < 1$ m/s):

Installation:
• in any position

Body and cover are connected by a clamp ring and 2 bolts. Servicing/maintenance is easy and does not call for special tooling.

STANDARD EQUIPMENT

- All stainless steel construction
- Quick-release body clamp ring

OPTIONS

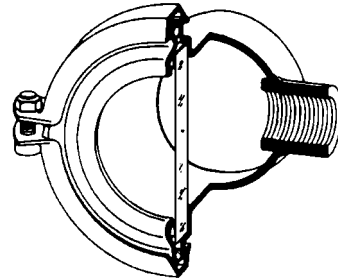
- Various seal materials suitable for your medium
- Special connections: Aseptic, ANSI or DIN flanges, welding spigots; other connections on request
- Special versions on request

Operating instructions, Know How and Safety instructions must be observed.

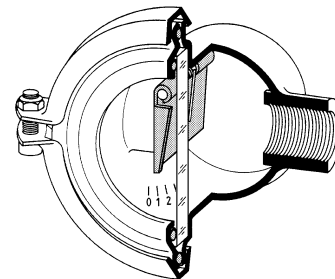
The pressure has always been indicated as overpressure.

We reserve the right to alter technical specifications without notice.

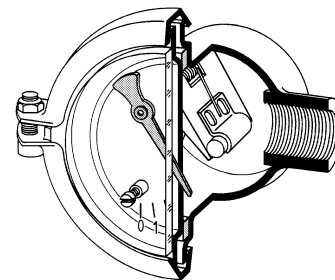
DA 6.00



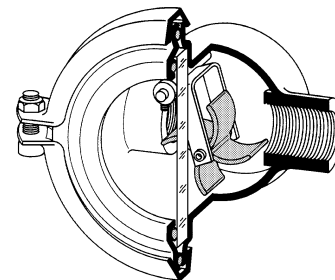
DA 6.10



DA 6.12



DA 6.30



Accessories

DA 6.00, 6.10, 6.12, 6.30

Flow Controller without internal parts, with internal indicator flag, external indicator or impeller, with one glass, up to 130 °C



Materials	
Type	DA 6.00 + DA 6.10
Temperature	80 °C
Body	CrNiMo-steel
Seal	EPDM optional Nova Universal
Glass	soda lime glass
Internals	without
Cover Fastening	profile clamp made of CrNiMo-steel G 2 and DN 50 with 2 screws

Materials	
Type	6.12
Temperature	80 °C
Body	CrNiMo-steel
Seal	EPDM optional Nova Universal
Glass	without
Internals	CrNiMo-steel
Cover Fastening	profile clamp made of CrNiMo-steel G 2 and DN 50 with 2 screws

Dimensions [mm]						
size	nominal diameter G					
	1/2	3/4	1	1 1/4	1 1/2	2
A (tolerance ± 2)	100	105	140	182	190	225
B	25	25	25	25	25	50
C	75	75	75	75	75	150
D	140	140	140	140	140	135
ø E	DA 6.00/6.10/6.30	65	65	65	65	90
	DA 6.12	80	80	80	80	90

Dimensions [mm]						
size	nominal diameter DN					
	15	20	25	32	40	50
A (tolerance ± 2)	170	180	215	220	226	230
B	25	25	25	25	25	50
C	75	75	75	75	75	150
D	140	140	140	140	140	135
ø E	DA 6.00/6.10/6.30	65	65	65	65	90
	DA 6.12	80	80	80	80	90

Weights [kg]											
nominal diameter G						nominal diameter DN					
1/2	3/4	1	1 1/4	1 1/2	2	15	20	25	32	40	50
0.85			1.1		1.8	2.3	3.0	3.3	4.5	4.9	5.8

Sensitivity for water 20 °C, horizontal installation [m³/h]						
type	nominal diameter G					
	1/2	3/4	1	1 1/4	1 1/2	2*
6.10	0.20	0.25	0.3	1.8	1.8	2.3
6.12	0.40	0.60	0.8	2.0	2.0	2.3
6.30	0.15	0.40	0.5	0.5	0.6	1.0

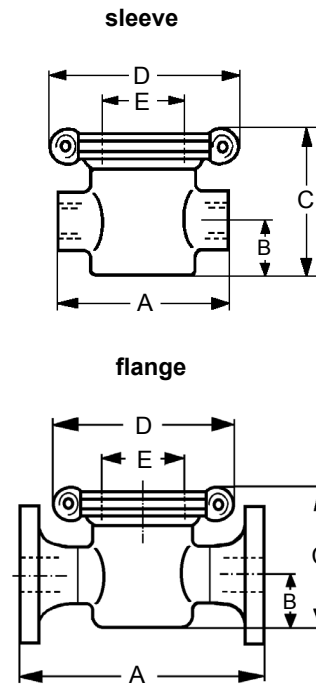
Sensitivity for water 20 °C, horizontal installation [m³/h]						
type	nominal diameter DN					
	15	20	25	32	40	50*
6.10	0.20	0.25	0.3	1.8	1.8	2.3
6.12	0.40	0.60	0.8	2.0	2.0	2.3
6.30	0.15	0.40	0.5	0.5	0.6	1.0

Special designs on request.

The pressure has always been indicated as overpressure.

Mankenberg reserves the right, to alter or improve the designs or specifications of the products described herein without notice.

WIR REGELN DAS SCHON
FIRMLY IN CONTROL



MANKENBERG